



GoBabyGo

Team 22; Alwaleed Alhamra, Asrar Alkhabbaz, Fawaz Almutairi, Sultan Almutairi, Eric Trieu

Date: January.31.2017

Client: Dr. Sarah Oman

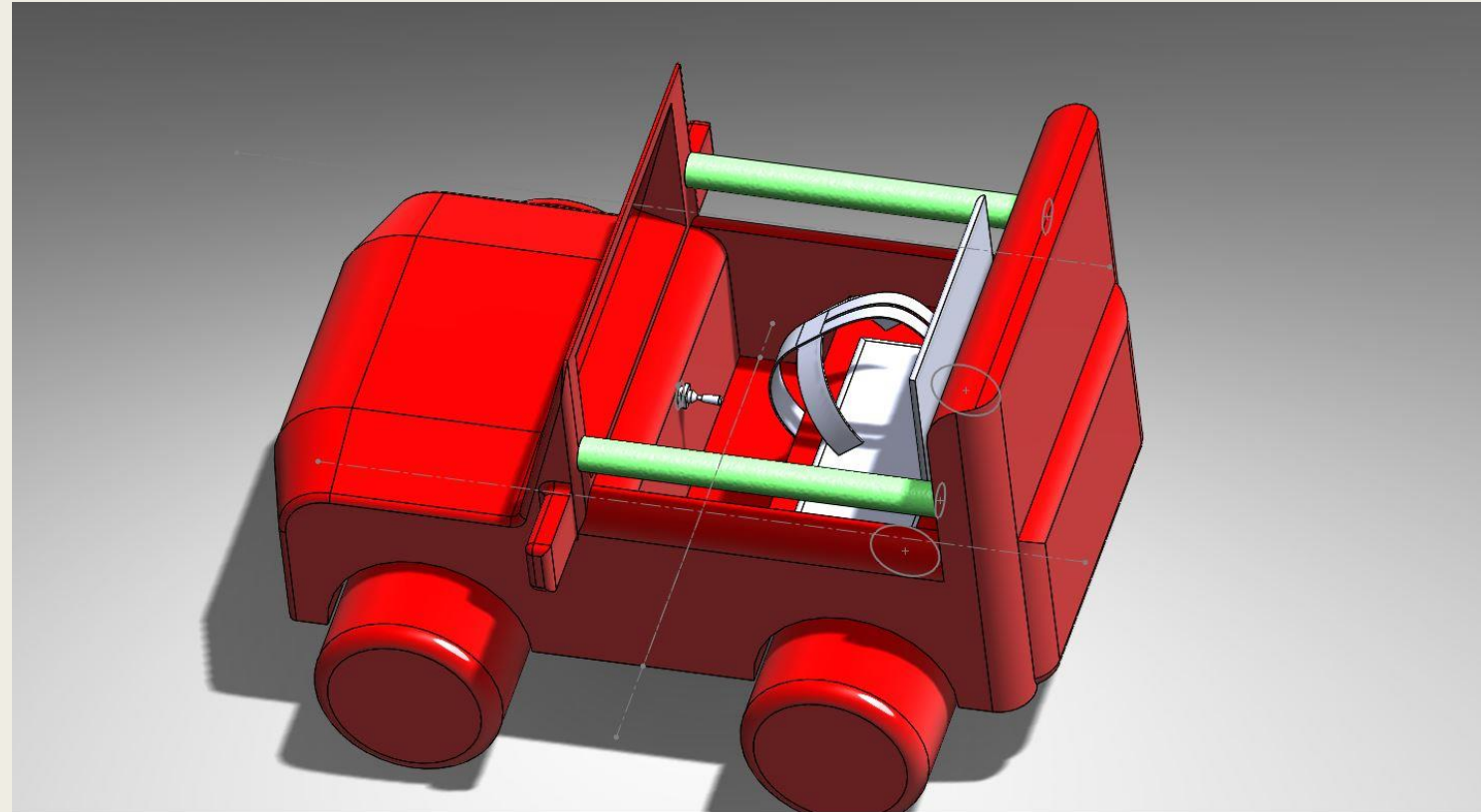
Project Description

- Go Baby Go is non-refunded organization that provides modified ride-on cars for children ages 3 to 6 who experience limited mobility.
- Many volunteers started the program in different states in United state that expanded throughout the world.
- Goal: Help children with mobility challenges and enable them to interact with others
- Thinking and building a new and creative version of ride-on cars.



Updates

- Steering wheels
- Arduino
- Motor Driver
- Servo
- Joystick Control



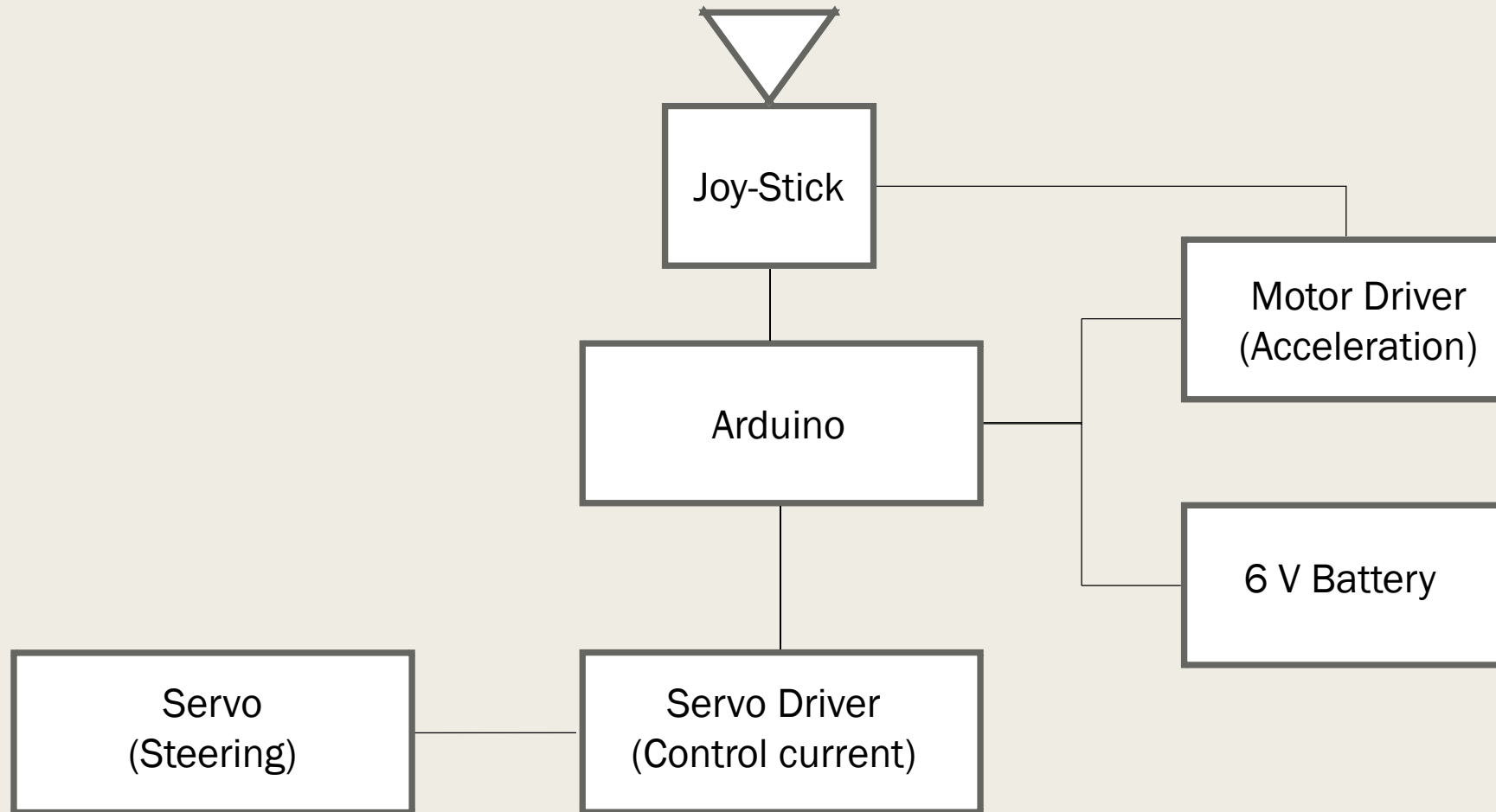
Updates

- Searching for parts
- Coming up with new ideas
- Having fun with family

Manufacturing

- Develop code to control:
 - *Steering*
 - *Acceleration*
- Rewire electrical components:
 - *Use existing batteries*
 - *Joystick*
 - *Motors*
- Mount components onto vehicle

Manufacturing



Manufacturing

- Who's responsible for what?
 - *Asrar – Variable Speed Control (Acceleration)*
 - *Alwaleed – Joystick (Steering)*
 - *Fawaz – Servo Driver and Motor*
 - *Eric - Arduino coding*
 - *Sultan – Safety components (Safety Harness, Chair, and PVC)*

Budget

Team 22 Bill of Materials

Part Name	Qty	Description	Cost	Link to Cost estimate
Hub AM-2279	1	Motor	\$15.00	Andymark.com
Window Motor AM-2235	1	Power Steering	\$39.00	Andymark.com
Big Dome Push Button -Red	1	Button	\$16.95	Amazon.com
6- Volt Rechargeable Battery	1	Battery	\$29.40	Amazon.com
Universal Baby 5-Point Harness Belt	1	Seatbelt	\$9.98	Amazon.com
Power Wheel Switch	1	Switch	\$9.99	Powerwheels.com
Best Choice Products 12V Kids Ride on Truck Car W/ Remote Control	1	Ride-On-Car	\$189.67	Amazon.com
RioRand Upgraded 6V-90V 15A Motor Pump Speed Controller	1	Speed Controller	\$10.99	Amazon.com
Kuman L298 Motor Drive Controller Board	1	Motor Controller Board	\$8.99	Amazon.com
Hobbypark HDR315M 15kg Digital High Torque Robot Servo	1	Servo Motor	\$29.99	Amazon.com
Arduino Uno 3 Ultimate Starter Kit	1	Arduino	\$48.99	Amazon.com
Arcade Joystick with Top Fire Button For Crane and Claw Style Games	1	Joystick	\$24.95	Amazon.com
Total Cost Estimate:			\$433.90	
Total Remaining:			\$1,066.10	

Thank You!